

Compact safe with  
certified Grade I  
burglary protection



# Cobra Pro

BURGLARY-RESISTANT PROTECTION

## Key Features

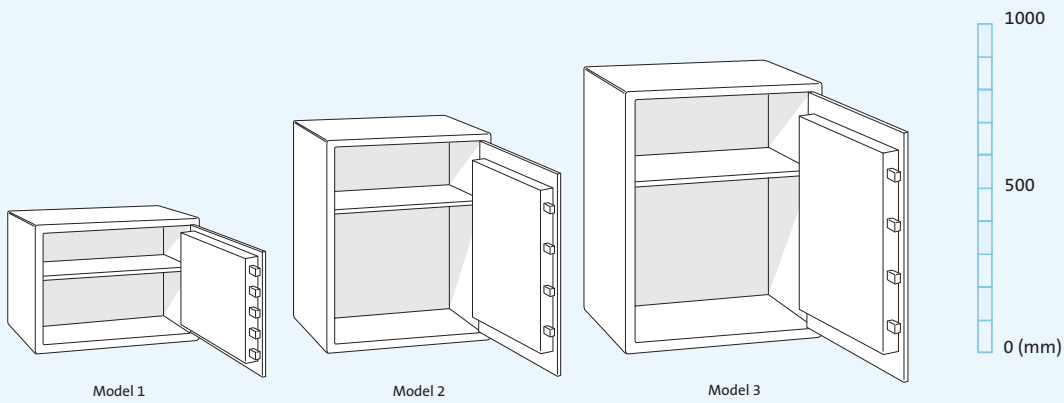
- Grade I burglary protection certified by ECB•S in accordance with the European standard, EN 1143-1.
- A Class A mechanical key lock or a Class B high-security electronic lock, approved in accordance with EN 1300, are both available as primary lock options. Electronic locks increase the level of security and prevent unauthorised access to the safe.
- Safes equipped with an electronic lock also have an LED light inside.
- Ergonomic handle, soft-touch handle.
- Interior ladder racking system for flexible positioning of multiple shelves. One shelf is supplied as standard.
- Thinner walls for increased internal capacity.



**Chubbsafes**  
*Trusted the world over.*

BURGLARY  
PROTECTION

## Product Specifications



Model	External (mm)			Internal (mm)			Weight (kg)	Volume (litres)
	Height	Width	Depth	Height	Width	Depth		
1	390	500	440	310	420	300	125	40
2	650	500	510	570	420	370	203	88
3	800	600	550	720	520	410	270	153

### Lock Options



As the primary locking option, Cobra Pro safes can be fitted with either a high-security electronic lock (Class B) or a key lock (Class A).

Dual locking is available on all models. The primary lock can be complemented by a combination lock or both a key lock and electronic lock can be fitted.



All locks are tested by ECB•S and are certified in accordance with the EN 1300 standard. Cobra Pro's high-security electronic lock – certified Class B by ECB•S – includes the following features:

- 1 master code and 9 user codes.
- Time delay of up to 99 minutes between lock being operated and door being opened. Also equipped with time-delay override.

### Burglary Testing

Cobra Pro has been approved by ECB•S in accordance with the European standard, EN 1143-1, for burglary protection in Grades I.

A range of attack tools were used to test Cobra Pro's level of resistance, from basic tools to sophisticated thermal and electrical equipment.



### Interior fittings

#### Shelf

One removable shelf standard with all models. More can be added.

#### Lighting

Electronic locking models have an integrated LED light inside which turns on when the safe door opens.



Authorised dealer

**Chubbsafes**  
Trusted the world over.

[www.chubbsafes.com](http://www.chubbsafes.com)

'Chubb' is owned by Chubb plc and is a registered trademark used under license