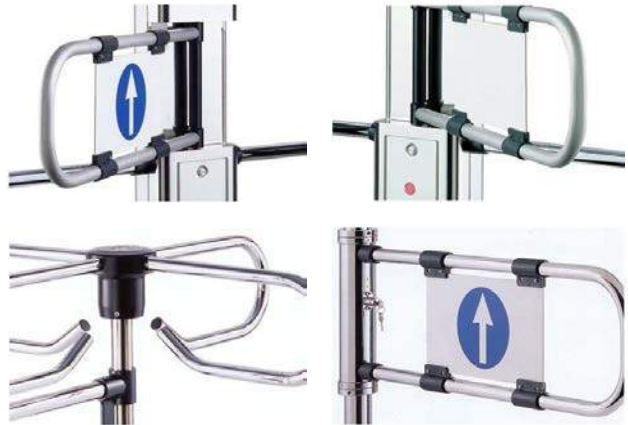


Point-Of-Sale Gates

Entrance Control Solutions for Retail Outlets, Gyms and Aquatic Centres



Point-Of-Sale

- o Passage flow → high flow rate → continuous unidirectional
- o Security level → low profile → high transit
- o Aesthetic Integration on Site → pleasant design → welcome & guidance

The Point-Of-Sale range, originally designed for guidance and control in retail outlets, is also a valuable and cost-effective entrance solution used for disable and trolley access or exits in security installations alongside tripod turnstiles or other products. Point-Of-Sale includes mechanic and motorised swing gates, alarm and sensor detection systems, barriers, posts and accessories to complete the offer.

Point Of Sale - General facts

- ./ Mechanical and Motorised models
- ./ Anti-panic push opening
- ./ Barriers and posts available
- ./ Unidirectional

Pass-O-Mat

Pass-O-Mat is an unidirectional motorised swing gate. Right Hand, Left Hand or Double configurations available with standard arm length or extra arm length of 1200 mm as option. Made of stainless steel polished, is provided with or without railings depending on the version. The C0 version includes a push button control unit and has no railings; the C1 version is controlled by a photocell installed on the entry railings, no exit railings are provided; C2 versions includes instead exit railings. Opening is automatic when someone crosses the photocell. The Radar version opens by means of radar as soon as someone walks in front of the sensor and no railings are necessary. All versions are equipped with an anti-panic device: pushing over a due force the swing gate disengages to create a free exit in both directions.

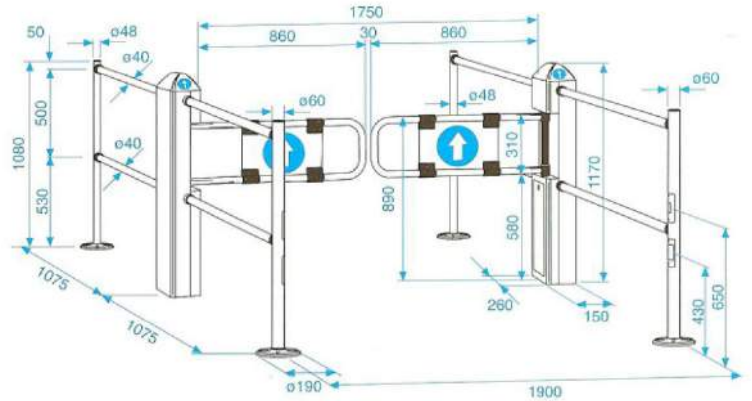


Girello

Girello is an unidirectional mechanical gate with four horizontal paddles. Made of stainless steel polished or chromium plated steel. When pushed, the gate rotates to allow access in the authorised direction. Girello is equipped with an anti-panic device: pushing over a due force the gate disengages to create a free exit in both directions.



Pass-O-Mat



An efficient and elegant access control system for retail outlets

Pass-O-Mat motorised swing gates are designed for access control and customer guidance in retail outlets and to prevent entrance points being used as exits except in emergencies.

Operation

A normally closed motorised barrier controlled by remote control unit, photocells (or by Radar sensor) which detect the presence of a customer entering the passageway. When opening signal is received, the gate opens and remains open for a period controlled by a timer which can be set from 0 to 15 sec. In emergency situations, the anti-panic inbuilt system allows to open the gate in the wrong direction pushing over approximately 120N.

SOLUTIONS

CØ - C1 - C2 Series

CØ - C1 - C2 Series Lateral passageway

Radar Series

Multiple Gate Series

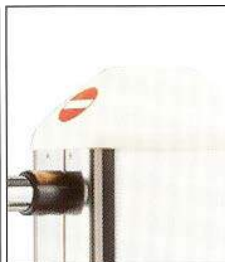
Multiple Gate Series Lateral passageway



Opening control photocell



Radar Series sensor



Illuminated pyramid top in opal methacrylate

Available signals



ENTRY



ACCESS PROHIBITED



EMERGENCY EXIT



ACCESS FOR THE DISABLED

Pass-O-Mat

∅ - C1 - C2 MODELS

Technical characteristics

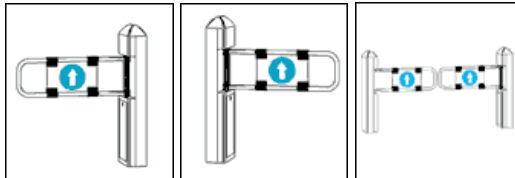
Power supply: 220/240VAC/50Hz • Adjustable opening time • Audible alarm activated on opening of anti-panic device • Modulated infra-red photocells, positioned in special post at entrance to passageway • Barrier diameter: ∅ 40 x 1.2 mm.

• Post diameter: ∅ 48 x 1.5 and Photocell post 60 x 2 mm. • Standard opening (net): 90 cm.; Maximum opening obtainable on request: 120 cm.

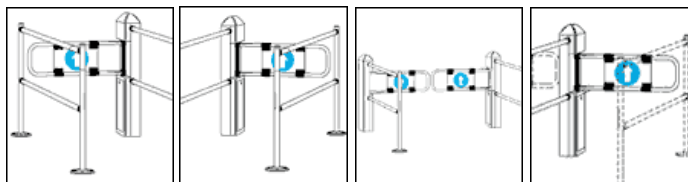
Model ∅ - supplied complete with remote control panel.

Model ∅ double - a cable duct should be installed for interconnection of motor columns. Model C1, C2 - the Lateral passageway version is utilized for multiple lane installations.

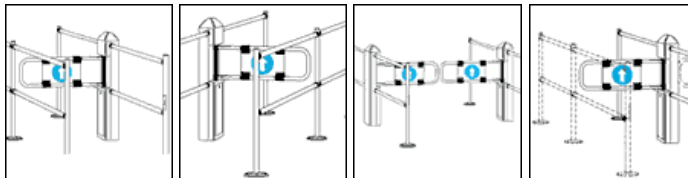
Models: ∅ RH/LH C
∅Double
. Stainless steel



Models: C1 RH/LH
C1Double
Lateral Passageway
. Stainless steel
. Chromium plated and stainless steel



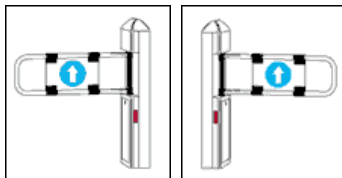
Models: C2 RH/LH
C2Double
Lateral Passageway
. Stainless steel
. Chromium plated and stainless steel



RADAR MODELS

The RADAR series is designed to solve access control problems in small spaces and in situations where photocell models cannot be used for practical or design reasons. Surface reflection sensor (Radar series), positioned inside motor column.

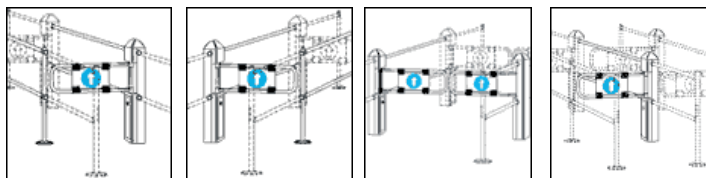
Models: RadarRH/LH
. Stainless steel



MULTIPLE GATE MODELS

The Multiple Gate series is designed to offer an additional level of security to operators of retail outlets: the double sequence of barriers prevents persons from using the passageway as an exit, while allowing customers easy access to the retail outlet.

Models: Multiple
GateRH/LH
Double
Lateral Passageway
. Stainless steel
. Chromium plated and stainless steel





The secure way to welcome customer

Pass-O-Mat motorised swing gates are designed for access control and customer guidance in retail outlets and to prevent entrance points being used as exits except in emergencies.

Operation

Pass-O-Mat SA is a normally open motorised swing gate which closes when photocells detect a user entering the passageway from the wrong direction. This action is accompanied by an audible alarm. The alarm is reset when the user retraces his steps or after a predetermined period of time. In emergency situations, the anti-panic inbuilt system allows to open the gate in the wrong direction pushing over approximately 120N.

SOLUTIONS

SA

SA Lateral passageway



Detail of photocell



Photocell column



Illuminated pyramid top in opal methacrylate

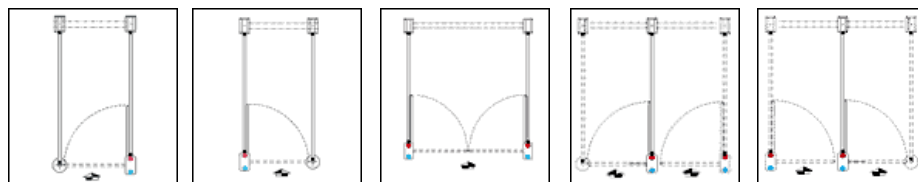
SA SERIES

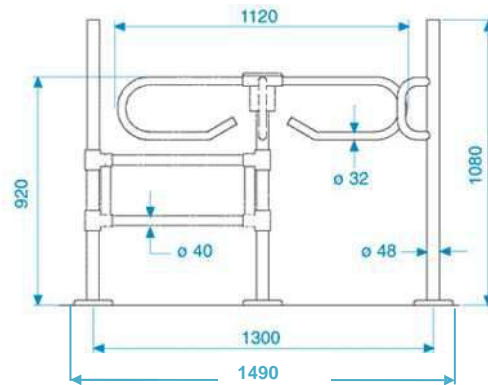
Technical characteristics

Power supply: 220/240VAC/50Hz • Audible alarm activated on unauthorised passage • Modulated infra red photocells, positioned in special column at exit to passageway and in motor column • Barrier diameter: Ø 40 x 1.2 mm. • Post diameter: Ø 48 x 1.5 mm • Standard opening (net): 90 cm.; Maximum opening obtainable on request: 120 cm.. Double model - A cable duct should be installed for interconnection of SA motor columns.

The Lateral passageway is utilized for multiple lane installations.

- Models: SA RH/LH
- SA Double
- Lateral Passageway
- Stainless steel
- Chromium plated and stainless steel





The classic access control system for retail outlets

The GIRELLO® turnstile with four horizontal paddles can be considered the original access control system for retail outlets. It is still widely used in a variety of applications: retail outlets, museums, sports and leisure centres, etc.

Operation

To pass through the turnstile, the user simply pushes the paddles. The paddles can rotate in one direction only, and any persons attempting to pass through in the opposite direction will find the turnstile an effective barrier. Available also a version with an anti-panic device so that when pushed the paddles in the wrong direction it rotates. In addition, the Safety version, if pushed in the wrong direction allows all Girello to rotate around the Post creating a wide passage way. To complete the gate, closing the lateral passage, the ArcoPass and teh Post must also be ordered separately.

SOLUTIONS

Girello



Central element complete



Safety lock in black Teflon

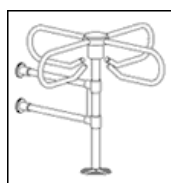
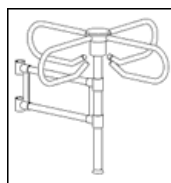
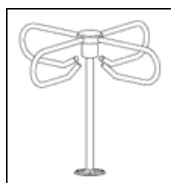


Arco-pass: detail of post fitting

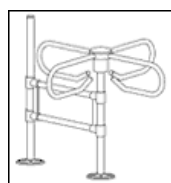
Technical characteristics

Available in stainless steel AISI 304 polished finish or in chromium plated steel, head piece and brackets in cast aluminium with black finish, round base in galvanised steel, base cover in stainless steel AISI 304. Available in a safety version (see diagram) and fixed version.

- Models: Fixed,
- Safety
- . Stainless steel
- . Chromium plated



Wall mounted



Column mounted

- Guderaile
- Arcopass



Accessories

GUNNEBO®
For a safer world



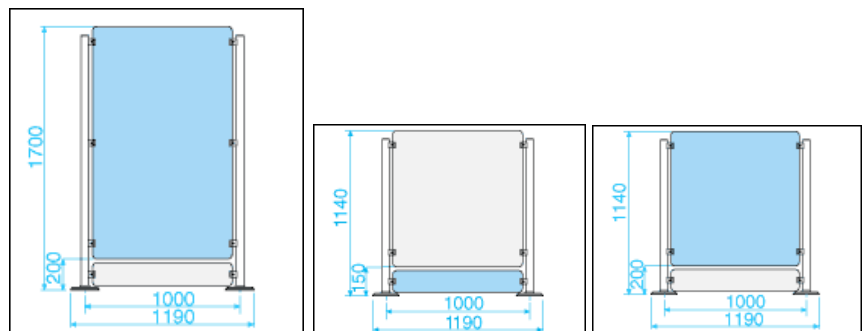
Posts and Barriers

Posts and barriers complete the access barrier system and can be used for customer guidance. The standard $\text{Ø} 48 \times 1.5$ mm post is in polished stainless steel AISI 304 or chromium plated steel, complete with round base in galvalised steel and base cover in stainless steel AISI 304, caps and sleeves in black polyethylene. Rectangular bases are available on request in polished stainless steel AISI 304 bases with exposed countersunk head bolts. The posts are supplied complete with sleeves in the configurations shown in the diagram. The standard barriers are in $\text{Ø} 40 \times 1.2$ mm. stainless steel AISI 304 tube with polished finish or in chromium plated steel tube, and are available in the lengths indicated in the table.

Wall fixing plate, post cap $\text{Ø} 48\text{mm}$, expansion anchor, patch fittings for signal plate, paneling fitting clamps, counter, lock for mechanical Swing Gate, One way device, dibond sign boards, Pass-O-Mat and Swing Gate aluminum guard rail.

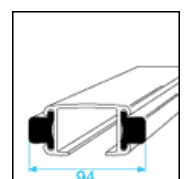
Panelling

Panels in transparent Lexan bi-laminate. Posts in stainless steel with round base and black plastic panel clamps. The panels are available in three versions: In transparent Lexan, thickness 6 mm. Elegant, robust panel clamps in black polyethylene, speedily assembled for secure fixing and easy removal of panels. Posts for Panelling: They are designed to establish clearly restricted areas within the retail outlet. Available in two sizes: standard height 1080 mm and 1700 mm. The posts are in $\text{Ø} 48 \times 1.2$ mm stainless polished steel tube.



Cart Bumpers

Cart bumper complete with rubber buffers on both sides for protection of walls, windows, refrigerated display cabinets and trolley parks. Extruded aluminium section with rubber buffers on both sides. Feet 155 mm. high in stainless steel complete with floor fixing plate, flexible curved section with angle adjustable from 90° to 180° in moulded polyethylene with round end piece.



Complementary accessories

Offer include Cart passage extension, black plastic sleeves, wall fixing plate, post cap Ø 48mm, expansion anchor, patch fittings for signal plate, paneling fitting clamps, counter, lock for mechanical Swing Gate, One way device, dibond sign boards, Pass-O-Mat and Swing Gate aluminum guard rail.



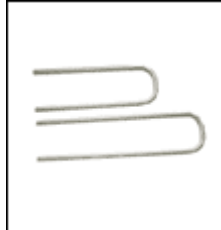
Cart passage extension



Black plastic sleeves



Wall fixing plate



Pass-O-Mat and Swing Gate guard rail



Expansion anchor



Paneling fittings clamps



Lock for mechanical Swing Gate



One way device



Dibond sign boards

