

BOOMTECH A

Automatic Vehicle Boom Barrier
for indoor and outdoor applications

BOOMTECH A automatic vehicle boom barriers are the ideal solution for unmanned vehicle access control.

Suitable for applications with medium to high traffic flow, BOOMTECH A automatic vehicle boom barriers easily integrate with access control or fare collection.

The BOOMTECH A heavy-duty motor plate supports the cycle permanent torque motor, which delivers the power for the sinusoidal drive mechanism via an industrial grade low ratio gearbox.

The BOOMTECH A automatic vehicle boom barriers are engineered for long term reliability, and fast on-site maintenance.

AVAILABLE CONFIGURATIONS

- BOOMTECH A | 3m / 3.5m / 4m / 4.5m / 5m / 5.5m / 6m blocking width automatic vehicle boom barriers



Typical areas of application include:

Car Parks | Commercial & Residential Estates | Government Sites | Industrial Sites | Logistics Centres | Mines | Secure Compounds

Alltech Vehicle Barriers & Turnstiles Solutions also feature:

Manual Boom Barriers | Bollards | Spike Barriers | Fast Folding Gates | Road and Rated Wedge Blockers | Half and Full Height Turnstiles | Tripod Turnstiles | Revolving Doors | Security Booths | Special Needs Access Gates

FIND OUT MORE ON www.alltechbygunnebo.com

ELECTRICAL DATA & CONDITIONS OF USE

POWER	<ul style="list-style-type: none"> Power Supply: 220Vac 50Hz Power Consumption: 80W
LOGIC VOLTAGE	<ul style="list-style-type: none"> 220Vac
OPERATING TEMPERATURES	<ul style="list-style-type: none"> -10°C to +55°C RH 95% no condensing
EMC COMPLIANCE	<ul style="list-style-type: none"> According to CE

SYSTEMS INTEGRATION & ACCESS SPECIFICATIONS

LOGIC	<ul style="list-style-type: none"> BL100T microprocessor combined logic and loop detector
SYSTEMS INTEGRATION	<ul style="list-style-type: none"> Integrates with any access control and fare collection systems with 0 voltage input 0V inputs provided for entry and exit directions of passage 0V latching input provided for control of both simultaneous and individual entry and exit direction
FLOW RATES Dependent on access control system	<ul style="list-style-type: none"> Up to 15 passages / mn
SPEED OF OPERATION	<ul style="list-style-type: none"> 3-4m clear opening: 2.0-3.0s 4-5m clear opening: 3.5-4.0s 5-6m clear opening: 4.0-4.5s
POWER FAILURE	<ul style="list-style-type: none"> In the event of a power failure, the boom pole will automatically raise to a 75° opening angle and manual operation will be enabled until power is restored

INSTALLATION & MAINTENANCE

PRODUCT DELIVERY	<ul style="list-style-type: none"> Fully assembled or sub-assembled. <i>Choice to be specified at time of order placement.</i>
SITE PREPARATION	<ul style="list-style-type: none"> Base to be flat and level to +/- 5mm over footprint area. Dimensions to be 600 x 600 x 400mm deep at 20mpa
CABLING & CONDUITS	<ul style="list-style-type: none"> Through the ground
LOGIC ACCESS	<ul style="list-style-type: none"> Housed into the barrier housing, access via lockable service hatch door
MAINTENANCE ACCESS	<ul style="list-style-type: none"> Barrier housing lockable service hatch door and removable top lid
MTR <i>Mean Time To Repair</i>	<ul style="list-style-type: none"> Approx. 20mn
MCBF <i>Mean Cycle Between Failure</i>	<ul style="list-style-type: none"> 5million

DESIGN OPTIONS & ACCESSORIES

DRIVE	<ul style="list-style-type: none"> Electro-motorised, electronically controllable
LOGIC CONTROLLER	<ul style="list-style-type: none"> BL100T combined logic and loop detector and IR-beam Selector switch relay control panel
HOUSING CONSTRUCTION	<ul style="list-style-type: none"> 2mm wall thickness mild steel (or optional stainless steel) plate
BOOM POLE OPTIONS	<ul style="list-style-type: none"> Round boom pole (76mm diameter, of 2mm aluminium wall thickness) with reflective red stripes Octagonal boom pole (90x45mm, of 1.5mm aluminium wall thickness) with reflective red stripes Articulated boom pole kit for low height clearance applications Boom pole mounted folding aluminium skirt

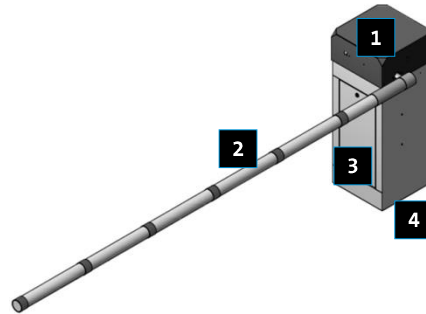
DESIGN OPTIONS & ACCESSORIES

BARRIER HOUSING FINISH OPTIONS	<ul style="list-style-type: none"> ▪ Powder coated mild steel (main housing section white and housing lid black) . <i>Other choice of colour available on request. Not recommended for corrosive environment applications</i> ▪ Powder coated 3CR12 stainless steel (main housing section white and housing lid black) . <i>Other choice of colour available on request. Suitable for low corrosive environment applications</i> ▪ Powder coated 304 stainless steel (main housing section white and housing lid black) . <i>Other choice of colour available on request. Suitable for corrosive environment applications with adequate cleaning program</i> ▪ Brushed 304 stainless steel. <i>Suitable for corrosive environment applications with adequate cleaning program</i> ▪ Brushed 316 stainless steel (available on request).<i>Suitable for corrosive environment applications</i>
SAFETY & OPERATING ACCESSORIES	<ul style="list-style-type: none"> ▪ Loop detector ▪ IR safety beam transmitter and receiver / reflector ▪ Green/Red dual traffic light (incandescent light or LED) ▪ Single / dual push button ▪ Key-fob transmitter (one- or three-button) and receiver
APPLICATION ACCESSORIES	<ul style="list-style-type: none"> ▪ Car gooseneck options ▪ Dual car/truck gooseneck options ▪ Aluminum skirt ▪ Gravity fed card drop box options ▪ Rain covers ▪ Folding arm kit

PRODUCT OVERVIEW

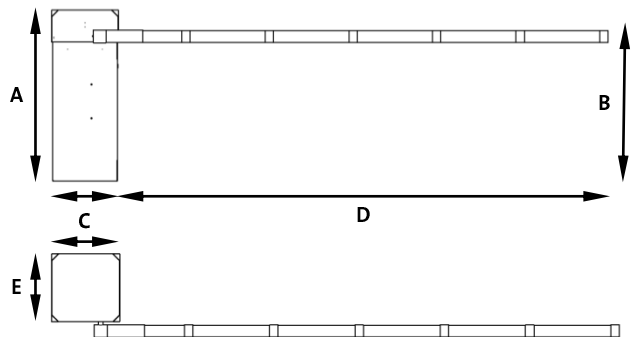
INDEX KEY

- 1** Head mechanism under removable top lid
- 2** Aluminium boom pole
- 3** Barrier housing lockable service hatch door
- 4** Wiring entry points



DIMENSIONS & WEIGHT

A: HOUSING HEIGHT	1025mm
B: BLOCKING HEIGHT	865mm
C: HOUSING WIDTH	400mm
D: BLOCKING WIDTH = BOOM POLE LENGTH	3000 / 3500 / 4000 / 4500 / 5000 / 5500 / 6000mm
E: HOUSING LENGTH	400mm
BARRIER HOUSING NET WEIGHT	60kg
BOOM POLE NET WEIGHT	Approx. 1kg / running meter





ALLTECH RELIABILITY

Picking the optimum entrance control solution is a process based on close cooperation with our customers – all the way from **needs analysis**, **production**, to **implementation** and **service**

From Analysis to Proposal

- Needs analysis forms the basis of a tailored proposal
- Specified for the overall solution and for individual areas of the site
- Fully compliant with all local regulations

Installation, Testing, Training

- Monitoring and implementing every installation
- Completion programme of functional reliability checks to ensure the equipment is safe
- Documenting each stage of the installation process
- Initiating start-up phase whilst focusing on training of relevant staff categories

Operation and Maintenance

- Initiating procedures for operation and maintenance
- Offering adequate Maintenance Plans or Service Level Agreements

With Alltech, a brand of the Gunnebo Security Group, a safe and reliable entrance control system is ready for round-the-clock use.

CONTACT GUNNEBO AFRICA FOR MORE INFO

c/o Gunnebo South Africa (Pty) Limited
105 Nagington Road, Wadeville, 1428, South Africa
T +27 (0)11 878 2300 | @ info.alltech@gunnebo.com
Web www.alltechbygunnebo.com