



# RotaSec

## Manual Security Turnstile for External Installation

RotaSec is a robust trouble-free full height turnstile available in many configurations: from the basic painted (model B), further enhanced by a full side frame (model F) and also the roof with canopy, flush mounted down lights and rainwater downpipe (model R), up to model S including plain lateral sides and passage direction red-green status lights.

Delivered in a kit form, it is easily transported to the installation site. Available in single, double and double interlocking layout configurations for sites where space is an issue.

Available with three (120°) rotor elements for more passage clearance or four (90°) rotor elements for increased security.

Passage in both directions electronically controlled.

RotaSec offers a standard electromechanical head able to prevent two passages at one time and also one head further equipped with damper for a silent mechanism and smooth operation.

In the event of an emergency or power-off scenario, the unit can be configured fail-safe i.e. rotor freely rotates or fail-lock i.e. rotor locks. This option is available either in one or both directions of passage.



# RotaSec

## Technical Specifications

### Drive

Hand operated  
Logic Voltage 24Vac

### Materials

Casework: Galvanised steel, painted (textured polyester powder top coat, Gunnebo standard colours)  
Mechanism Cover: GRP (Glass reinforced plastic)  
Canopy: GRP (Glass reinforced plastic)  
Side Cabinet: GRP (Glass reinforced plastic)  
Rotor Assembly: Tubular mild steel, hot zinc sprayed and painted (textured polyester powder top coat, white RAL

9010)

Gunnebo standard colours: black RAL 9005, white RAL 9010, grey RAL 7004, green RAL 6005. GRP parts are also available in the same colour range

### Mechanism

Electro-mechanical head mechanism:

- Positive action lock to prevent two passages at one time
- Self centering mechanism to ensure complete rotation in the rest position
- Anti backup device to prevent reverse rotation once the head moved 30° from rest position
- Hydraulic damper to ensure a smooth and quiet operation (optional)

### Power Failure / Fire Alarm

The rotor wings remain locked in the fail-lock configuration or can freely rotate in the fail-safe configuration. Fail-Lock or Fail-Safe configuration is available in one or both directions and must be specified at time of order placement. Note that head mechanism fail state will be the same as power failure choice. Input facility available for voltage-free contact to effect fire alarm fail state (COMR1 interface required)

### Interface

The control logic provides potential-free contacts to either push button or card reader input. Card reader inhibit and reset output signals are available as standard. Adjustable time out: i.e. Go signal is cancelled if passage is not completed within a preset time i.e. 5-30sec

### Power Supply / Power Rating

230Vac 50Hz or 115Vac 60Hz  
Power Rating 50VA. 50 + 50VA for Double unit  
Additional 40VA with lights, per unit

### Operating Temperature / IP Rating / MCBF / MTTR

0 to +55°C (RH 95% not condensing) / IP34 / 1.5M cycles / less than 30min

### Flow Rates (approximate)

Insertion Type Reader, 12 passages per minute  
Swipe Type Reader, 15 passages per minute  
Proximity Reader "Hands Free", 17 passages per minute

## Models or Versions

- RotaSec B90S (Single)
- RotaSec B120S
- RotaSec F90S
- RotaSec F120S
- RotaSec R90S
- RotaSec R120S
- RotaSec S90S
- RotaSec S120S

Above Single layouts also available as:

- Double (D)
- Double Interlocking (DI) (except RotaSec B)

## Options

- Card reader integration
- Damping mechanism
- Push button console
- Remote console
- Internal lighting
- Status lights (Red-Green)
- Trombone rotor
- Other RAL colour
- Stainless steel rotor bars with black painted column

## Applications

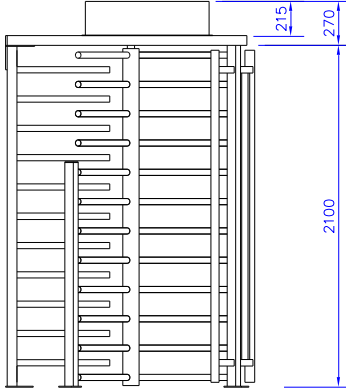
- Government
- Retail
- Finance
- Telecommunications
- Information
- Technology
- Banking
- Publishing
- Leisure
- Petrochemicals
- Education

# RotaSec

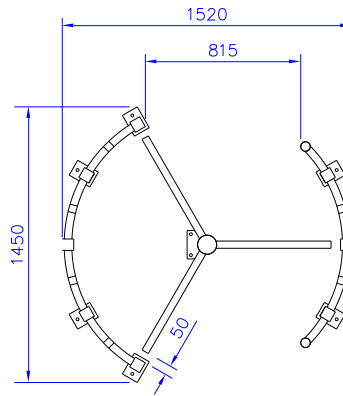
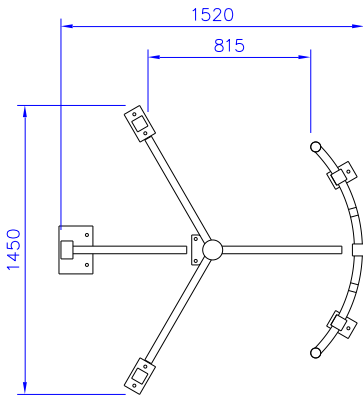
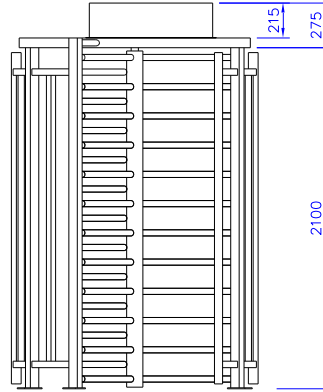
## Site Preparation: Single Unit

Product is delivered in a kit form and requires lifting equipment. Approx. weight 490Kg  
 (For installation details, please refer to installation layout drawings)

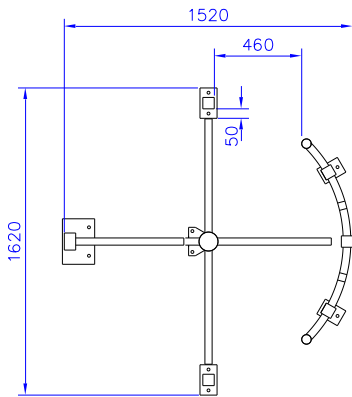
RotaSec B120



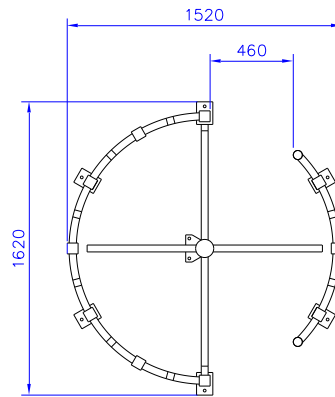
RotaSec F120



RotaSec B90



RotaSec F90



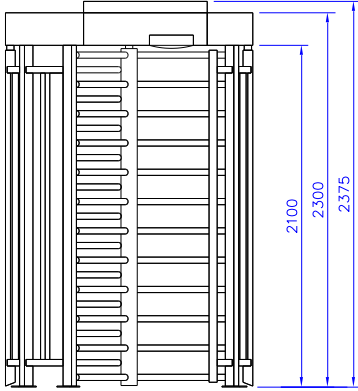
Concrete Base to specification at least fck (cube) 300N/mm<sup>2</sup> of resistance. Base to be flat and level to +/- 5mm over footprint area  
 Dimensions to be > 1800 x 1800 x 150 deep min (units in mm)

# RotaSec

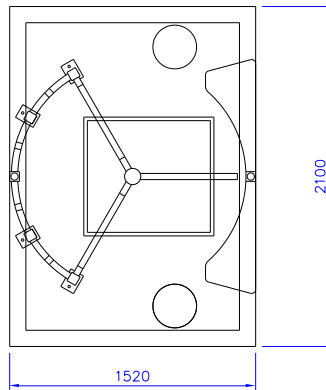
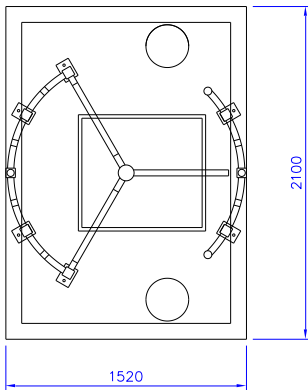
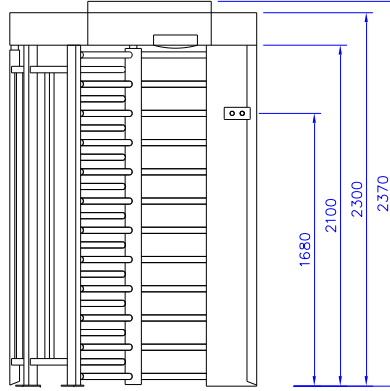
## Site Preparation: Single Unit

Product is delivered in a kit form and requires lifting equipment. Approx. weight 525Kg  
 (For installation details, please refer to installation layout drawings)

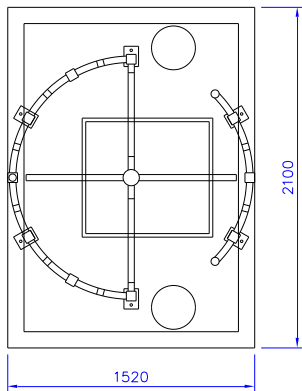
**RotaSec R120**



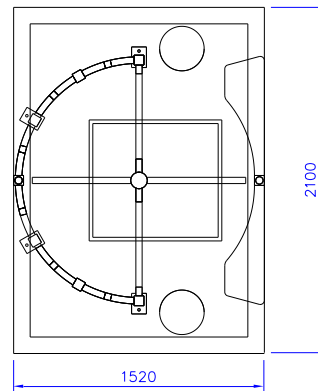
**RotaSec S120**



**RotaSec R90**



**RotaSec S90**



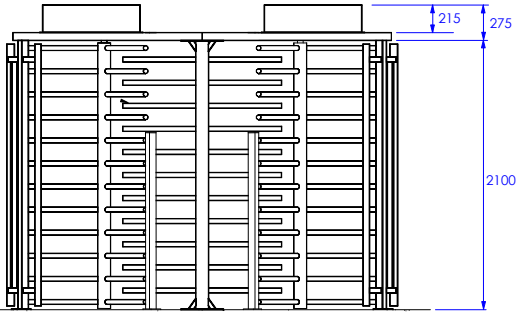
Concrete Base to specification at least fck (cube) 300N/mm<sup>2</sup> of resistance. Base to be flat and level to +/- 5mm over footprint area  
 Dimensions to be > 1800 x 1800 x 150 deep min (units in mm)

# RotaSec

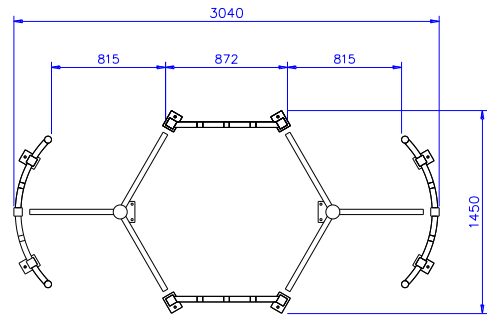
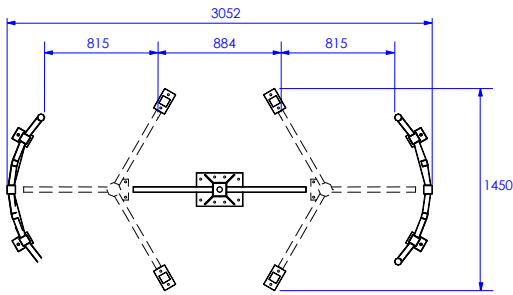
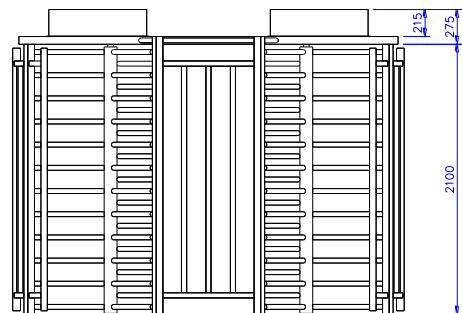
## Site Preparation: Double Unit

Product is delivered in a kit form and requires lifting equipment. Approx. weight 800Kg  
 (For installation details, please refer to installation layout drawings)

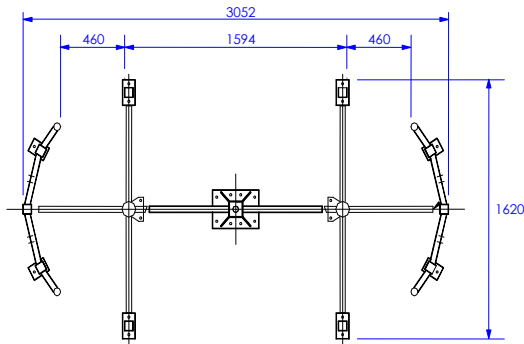
RotaSec B120D



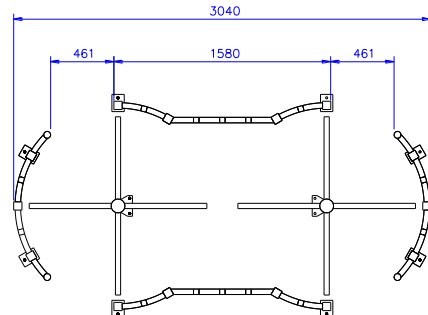
RotaSec F120D



RotaSec B90D



RotaSec F90D



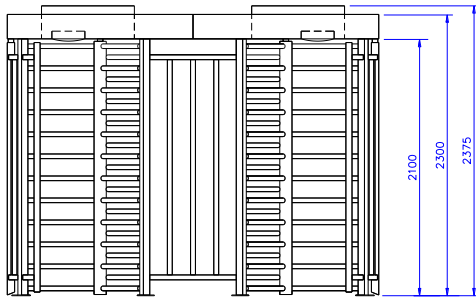
Concrete Base to specification at least fck (cube) 300N/mm<sup>2</sup> of resistance. Base to be flat and level to +/- 5mm over footprint area  
 Dimensions to be > 1800 x 3300 x 150 deep min (units in mm)

# RotaSec

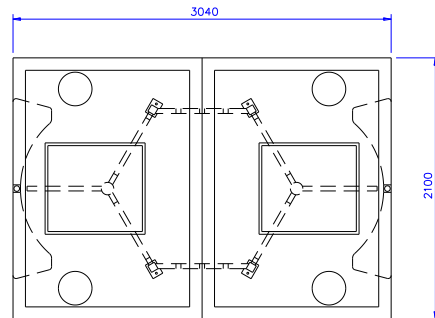
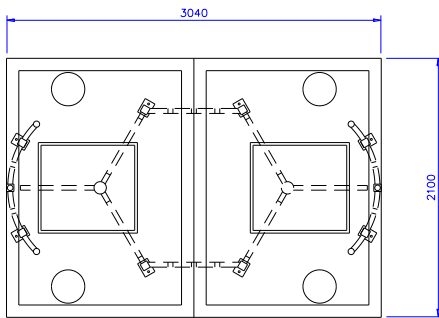
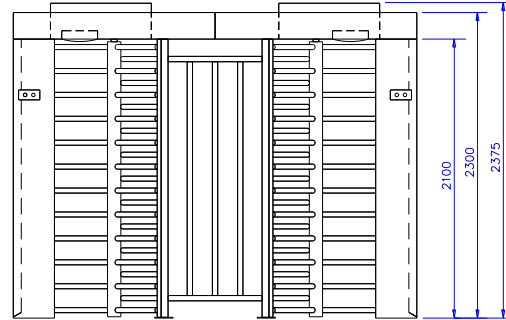
## Site Preparation: Double Unit

Product is delivered in a kit form and requires lifting equipment. Approx. weight 810Kg  
 (For installation details, please refer to installation layout drawings)

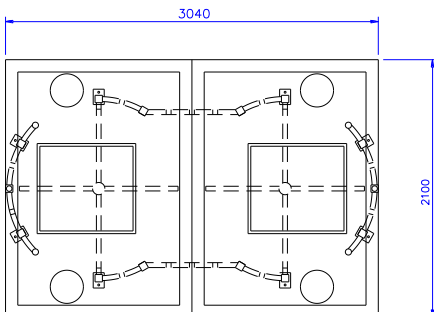
RotaSec R120D



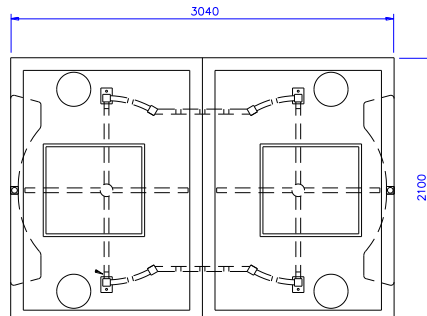
RotaSec S120D



RotaSec R90D



RotaSec S90D



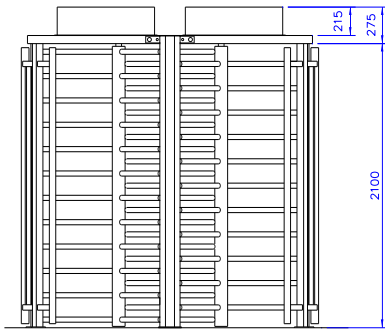
Concrete Base to specification at least fck (cube) 300N/mm<sup>2</sup> of resistance. Base to be flat and level to +/- 5mm over footprint area  
 Dimensions to be > 1800 x 3300 x 150 deep min (units in mm)

# RotaSec

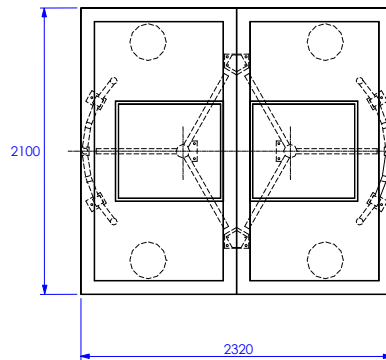
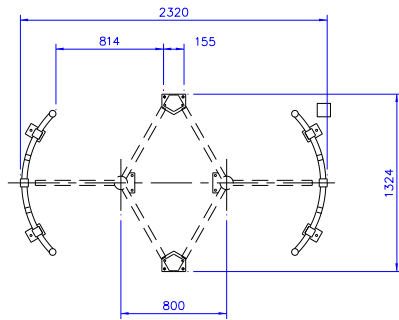
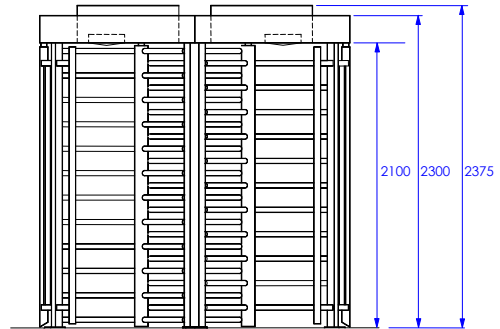
## Site Preparation: Double Interlocking Unit

Product is delivered in a kit form and requires lifting equipment. Approx. weight 790Kg  
 (For installation details, please refer to installation layout drawings)

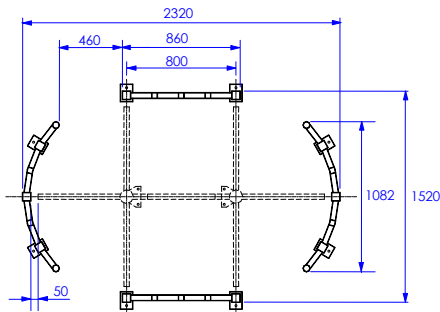
RotaSec F120DI



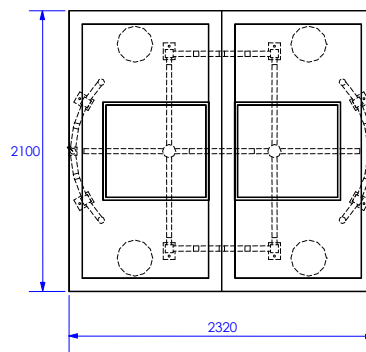
RotaSec R120DI



RotaSec F90DI



RotaSec R90DI



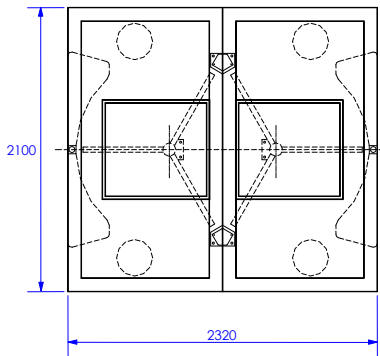
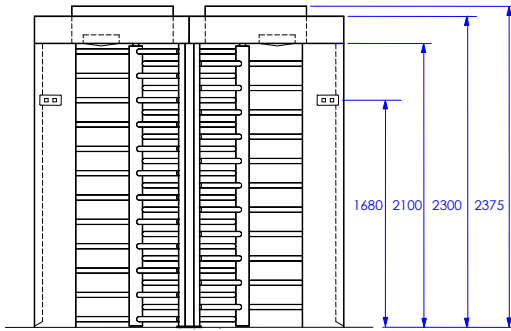
Concrete Base to specification at least fck (cube) 300N/mm<sup>2</sup> of resistance. Base to be flat and level to +/- 5mm over footprint area  
 Dimensions to be > 1800 x 2700 x 150 deep min (units in mm)

# RotaSec

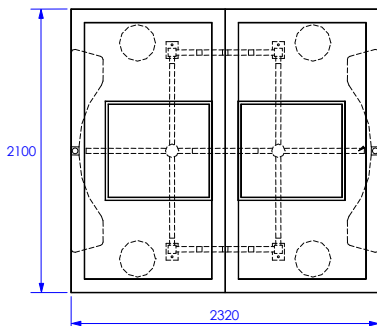
## Site Preparation: Double Interlocking Unit

Product is delivered in a kit form and requires lifting equipment. Approx. weight 790Kg  
 (For installation details, please refer to installation layout drawings)

### RotaSec S120DI



### RotaSec S90DI



Concrete Base to specification at least fck (cube) 300N/mm<sup>2</sup> of resistance. Base to be flat and level to +/- 5mm over footprint area  
 Dimensions to be > 1800 x 2700 x 150 deep min (units in mm)



# RotaSec

## Important

- Any horizontal pipe or conduit runs below the RotaSec Turnstile must be at least 140mm below FFL
- Cables metal conduit, shall come up at least 50mm from foundation
- It is the customer's responsibility to ensure the structural integrity and strength of the installation location
- The dimensions reported on this Product Data Sheet are for information only. In order to prepare the Installation Site, please refer to your usual Gunnebo Customer Service contact

For further information please contact:

Competence Centre Entrance Control

c/o Gunnebo Entrance Control Ltd  
Bellbrook Business Park  
Uckfield, East Sussex, TN22 1QQ  
United Kingdom

Tel +44 1825 761 022  
Fax +44 1825 763 835  
E-mail [info.entrancecontrol@gunnebo.com](mailto:info.entrancecontrol@gunnebo.com)  
Web [www.gunnebo.com/entrancecontrol](http://www.gunnebo.com/entrancecontrol)



Note: In pursuit of its policy of continuous refinement and improvement, Gunnebo Competence Centre Entrance Control reserves the right to modify design and details at any time and without notice.

[www.gunnebo.com](http://www.gunnebo.com)

**GUNNEBO**<sup>®</sup>  
For a safer world