



GlasStile R

Motorised Low Height Entrance Gate for Internal Installation

Entrance Gates are designed to combine smooth function and sophisticated appearance with security needs in settings where design is important. The Entrance Gates are completely silent and provide easy passage and high throughput. Designed to reduce the barrier effect and create a welcome atmosphere, visitors can immediately see how and where they should enter.

A wide range of designs, materials and functions are available. A grained or polished stainless steel motorised column with three glass leaves, curved glass, steel curved handrails and material options for the handrails complete the offering.

Passage in both directions is electronically controlled. On receiving a signal from the access control system or push button, the unit will unlock and be in a state of readiness for use.

When the paddle receives pressure from the user i.e. push to start, the motor will take over and drive 120° to its next home position. Should the leaf meet any resistance, it will stop and nudge forward. If obstruction continues the unit will alarm and free wheel. An auto-reset will re-establish control. Should an attempt be made to tailgate, the unit will lock. The auto-reset will re-establish control.

GlasStile R

www.gunnebo.com

Technical Specifications

Drive

Motorised, pass left or pass right. Logic Voltage 24Vac

Materials

- Type A - 304 grade grained stainless steel. 63mm diameter uprights and 38mm diameter handrail
- Type B - 304 grade polished stainless steel. 50mm diameter uprights and handrail
- Type C - 304 grade grained stainless steel. 63mm diameter uprights with handrail design and material choice and 10mm curved toughened glass

Rotor column: 220mm diameter 304 grade grained stainless steel

Rotor wing: 3N° 10mm thick clear toughened frameless glass panels

Power Failure / Fire Alarm

In the event of an emergency or isolation of power supply, the unit will fail-safe i.e. rotor will freely turn in both directions. Input facility available for voltage free contact supplied by others to effect fire alarm fail-safe state.

Additional Interface

Potential-free contact provided by either a card reader or push button input. Card reader inhibit and reset output signals are available as standard. The unit has an adjustable time out facility, i.e. go signal will be cancelled if passage through the GlasStile is not completed within the pre-set time. The standard default is 15 seconds adjustable via the hand-held programmer.

MODELS

- Type A
- Type B
- Type C

Available configurations (for all versions)

- 1350mm diameter
- 1500mm diameter

OPTIONS

- Alternative handrail finishes and materials
- Card reader integration
- Push button control
- Remote console
- Hand-held programmer
- Push bar
- Remote control system

BENEFITS

- Smooth function and sophisticated appearance
- Silent operation providing easy passage and high throughput
- Designed to reduce the barrier effect

APPLICATIONS

- Government
- Retail
- Finance
- Telecommunications
- IT
- Banking
- Publishing
- Leisure
- Petrochemical
- Education...

GlasStile R

www.gunnebo.com

TECHNICAL DATA

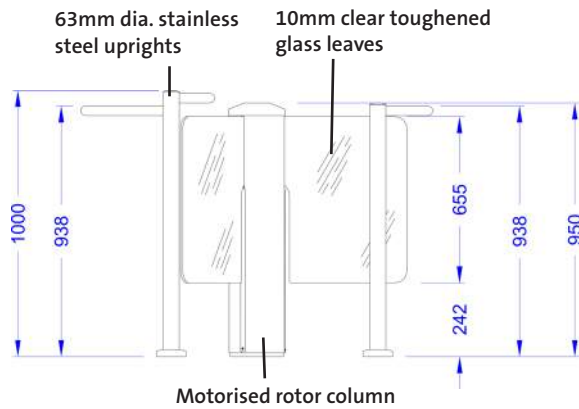
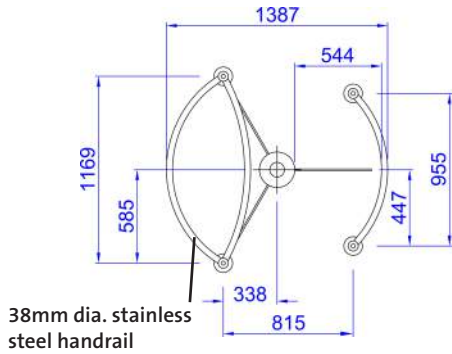
Dimensions	See details on next page
Power Supply	230Vac 50 Hz or 115Vac 60 Hz
Power Rating	250VA
Operating Temperature	+5 to +40 °C (RH 95% not condensing)
IP rating / MCBF / MTTR	IP 20 / 1M cycles / less than 30 min
Flow Rates (approximate figures):	
	Insertion Type Reader: 20 passages per minute
	Swipe Type Reader: 30 passages per minute
	Proximity Reader: "Hands Free": 35 passages per minute

GlasStile R

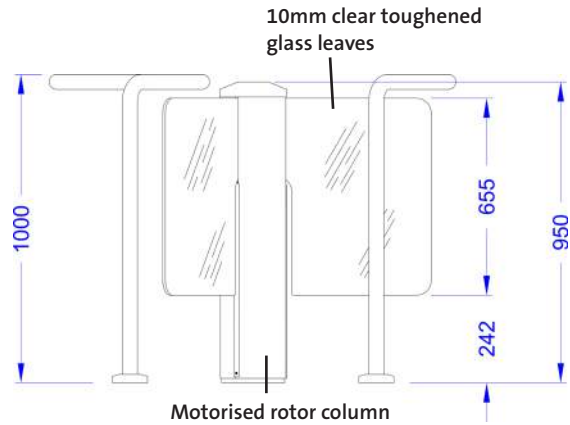
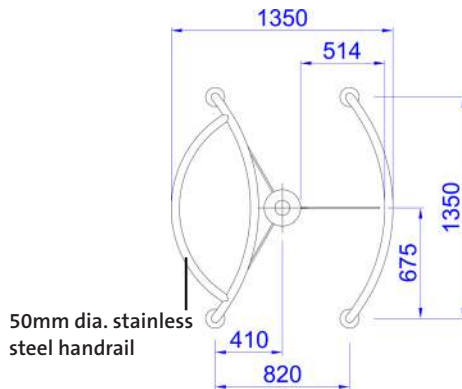
MODELS AND CONFIGURATIONS: GLASSTILE R1350

Product is delivered in a kit form i.e. Leaves, Casework and Rotor and may require lifting equipment.
 Approx. weight: 170Kg (For installation details, please refer to the installation manual).

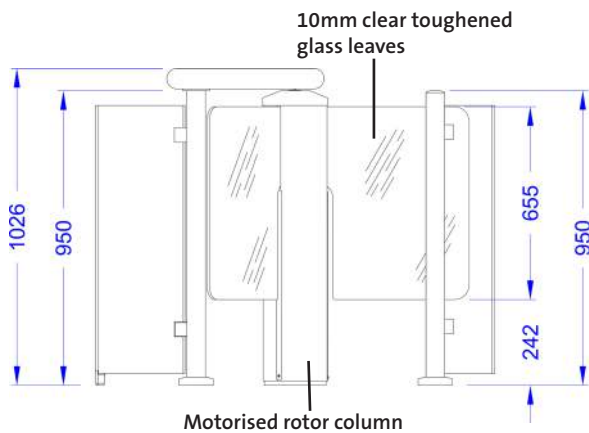
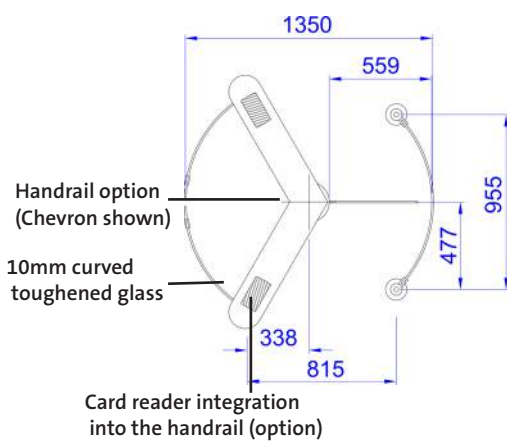
Type A



Type B



Type C



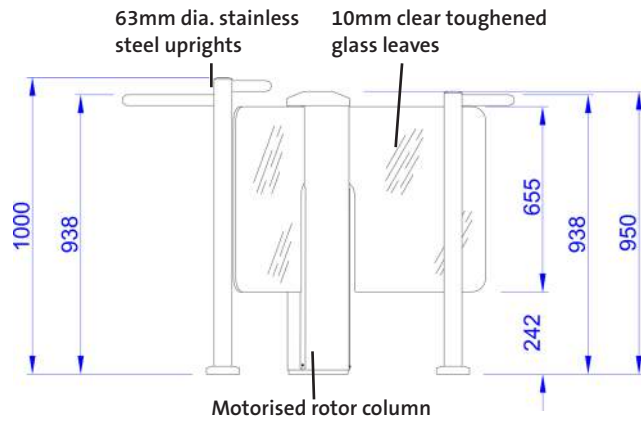
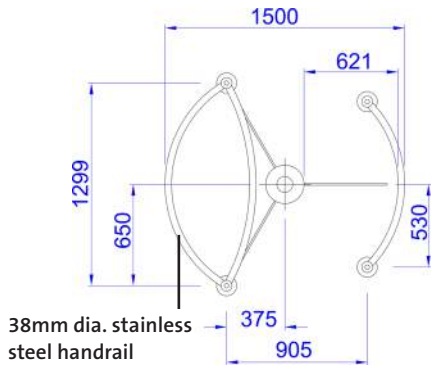
Concrete Base to specification at least fck (cube) 300N/mm² of resistance. Base to be flat and level to +/- 5mm over footprint area.
 Dimensions to be > 300 x 300 x 350 deep min. (units in mm).

GlasStile R

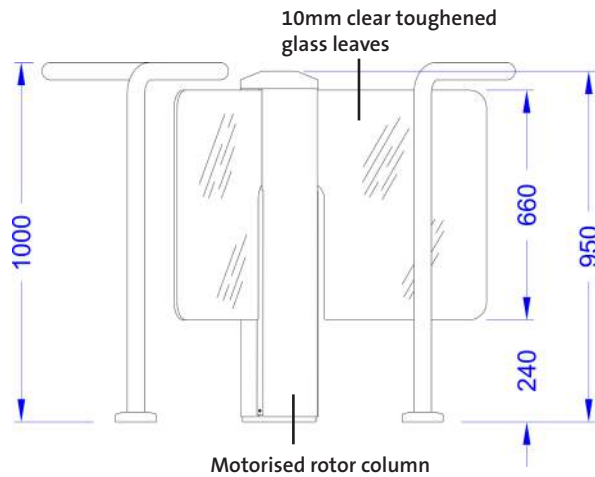
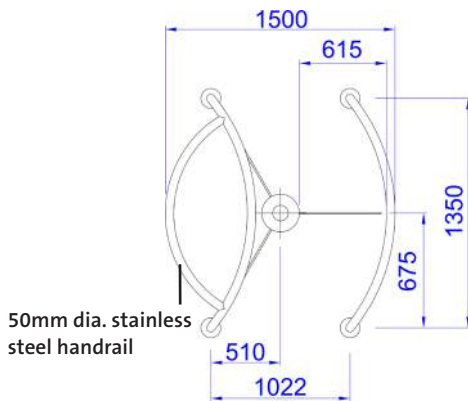
MODELS AND CONFIGURATIONS: GLASSTILE R1500

Product is delivered in a kit form i.e. Leaves, Casework and Rotor and may require lifting equipment.
 Approx. weight: 180Kg (For installation details, please refer to the installation manual).

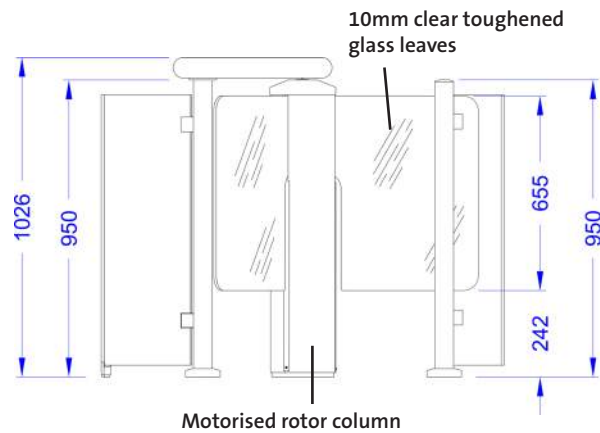
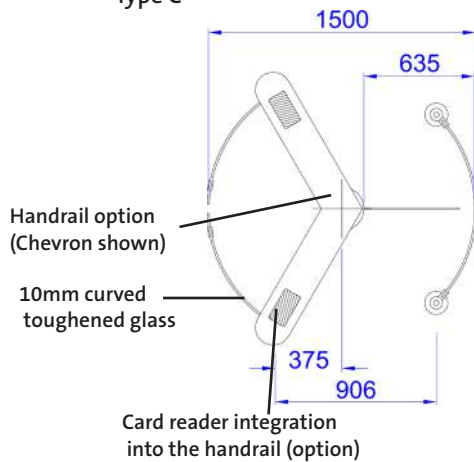
Type A



Type B



Type C



Concrete Base to specification at least fck (cube) 300N/mm² of resistance. Base to be flat and level to +/- 5mm over footprint area.
 Dimensions to be > 300 x 300 x 350 deep min. (units in mm).

GlasStile R

IMPORTANT

- Any horizontal pipe or conduit running below the Tripod Turnstile must be at least 140mm below FFL.
- Metal conduit for cables should be raised at least 50mm from foundation.
- It is the customer's responsibility to ensure the structural integrity and strength of the installation location.
- The dimensions given in this Product Data Sheet are for information only. In order to prepare the installation site, please refer to your usual Gunnebo Customer Service contact.

CONDITIONS OF USE

When using Gunnebo's security access control gates, for security and safety reasons, children must be supervised by an adult at all times.

For further information, please contact:

Gunnebo Entrance Control Ltd

Tel: +44 1825 761 022

Fax: +44 1825 763 835

Email: info.entrancecontrol@gunnebo.com

Note: In pursuit of its policy of continuous refinement and improvement, Gunnebo Entrance Control reserves the right to modify design and details at any time and without notice.

