

EN 15659, 30 P
EN 14450, Class S2



FIRE

FIRE & BURGLARY PROTECTION FOR YOUR VALUABLES

At a glance

- Combined fire and burglary protection in one safe
- Perfect for the protection of cash and valuables as well as passports, property records, legal papers and other important documents
- Certified by ECB•S for 30 minutes fire-resistance (EN 15659, 30 P)
- Certified by ECB•S for Level S2 burglary protection (EN 14450)
- Chubbsafes electronic lock
- Four sizes – 18 to 51 litres

Chubbsafes Elements

coolearth

Fire is part of the Chubbsafes Elements family of safes for the home and office. To tie in with the Fire range, Chubbsafes will make an annual donation to Cool Earth to help protect the world's endangered rainforests from destruction.

www.chubbsafeselements.com

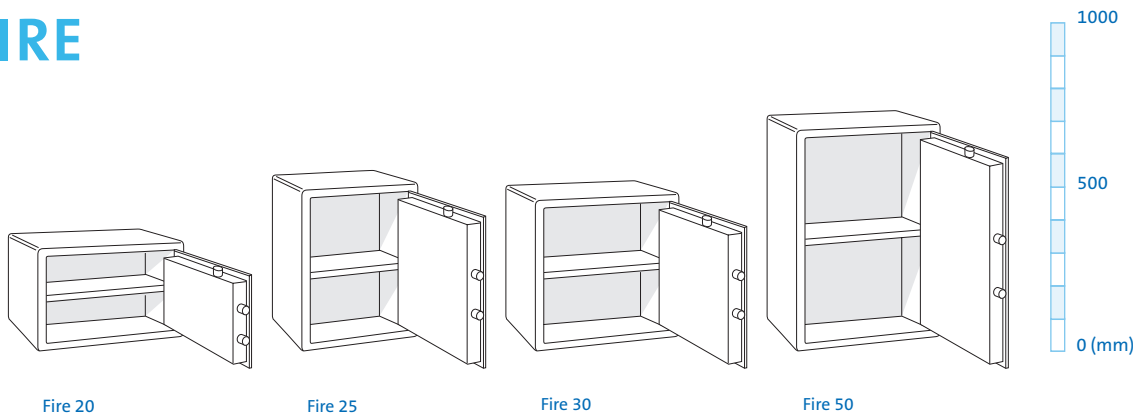


Chubbsafes
Trusted the world over.

www.chubbsafes.com



FIRE



Fire 20

Fire 25

Fire 30

Fire 50

Model	External (mm)			Internal (mm)			Volume (litres)	Weight (kg)	Shelf
	Height	Width	Depth	Height	Width	Depth			
Fire 20	315	445	440	185	334	290	18	52	1
Fire 25	490	360	440	360	249	290	26	62	1
Fire 30	460	440	440	330	329	290	31	68	1
Fire 50	670	440	440	540	329	290	51	91	1

Certification

30 P Fire Protection

The whole range has been certified by ECB•S in accordance with the EN 15659 standard for thirty minutes' fire protection of documents.



S2 Burglary Protection

The range has been certified in accordance with the EN 14450 standard for burglary protection to Level S2.

Locks

Each model is fitted with an electronic lock, certified by ECB•S according to EN 1300 Class B.

Electronic Lock

Enter your PIN code using the key pad and simply turn the handle to open the door. The door locks automatically again when shut and the handle is turned back to its original position. The lock can be programmed with your own six-digit PIN code.

Interior Fittings

Shelf

One removable shelf standard with all models. More can be added.

Construction

Boltwork

The door is secured by three-way operating, 25mm-diameter bolts. The boltwork is further protected by manganese steel anti-drilling plates and a re-locking device.

Door & Body

The safe wall has an overall thickness of 56mm with a 92mm-thick door.

Authorised dealer: